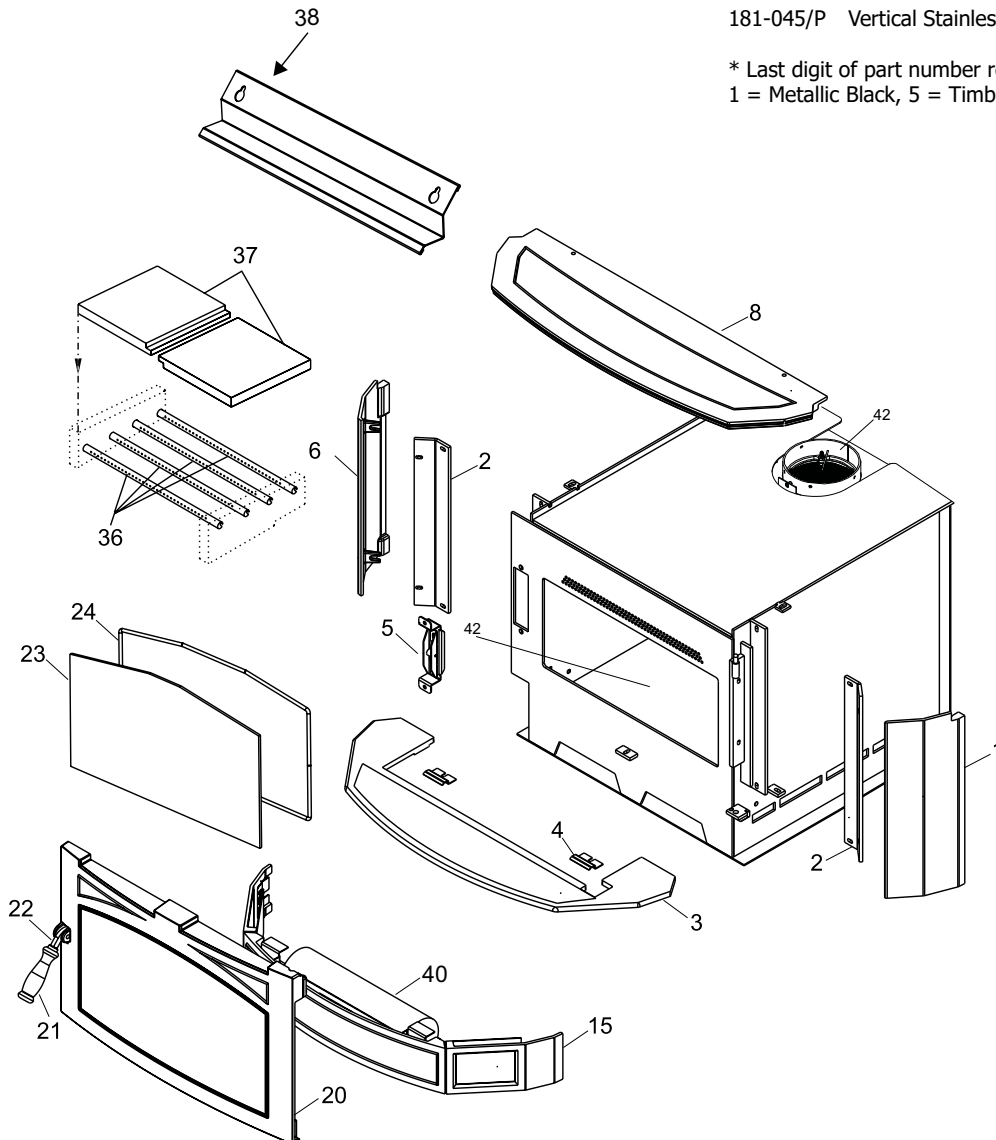


# Regency Hampton HI2450 Insert Parts List

## Main Assembly

Part #	Description	21) 948-179	Wooden Handle Black	42) 181-632/P	Flue Adaptor
1) 942-681* 846-686	Right Side Cast 8 mm Soft Fibre Black Gasket Tape (8') (936-238)	22) 300-551	Door Latch	<b>Not Shown in the drawing:</b>	
2) 300-021	Flange Adaptor	23) 940-370/P 846-570	Door Glass Door Gasket Kit	300-981*	Cast Grill
3) 942-691*	Ashlip	24)	Glass Retainer	181-039	Wood Damper Handle
4) 300-006	Fan Clip	846-686	8 mm Soft Fibre Black Gasket Tape (8') (936-238)	910-142	Fan Thermodisc
6) 942-671* 846-686	Left Side Cast 8 mm Soft Fibre Black Gasket Tape (8') (936-238)	36) 033-953	Air Tube 3/4" (Qty:4)	910-138	2 Way Switch
8) 942-661*	Mantel Top	37) 020-957	Baffle (2/set)	910-140	3 Way Switch
15) 300-911*	Fan Assembly	38) 181-019	Smoke Deflector	948-220	Hampton Logo Plate
20) 300-571*	Door Assembly	40) 910-157/P	Fan Motor Only	910-678	120 Volt Power Cord
		41) 021-022	Firebox Floor Gasket	300-513	Upper Door Hinge Assembly
				948-155	Bottom Door Hinge Pin
				181-045/P	Vertical Stainless Deflector

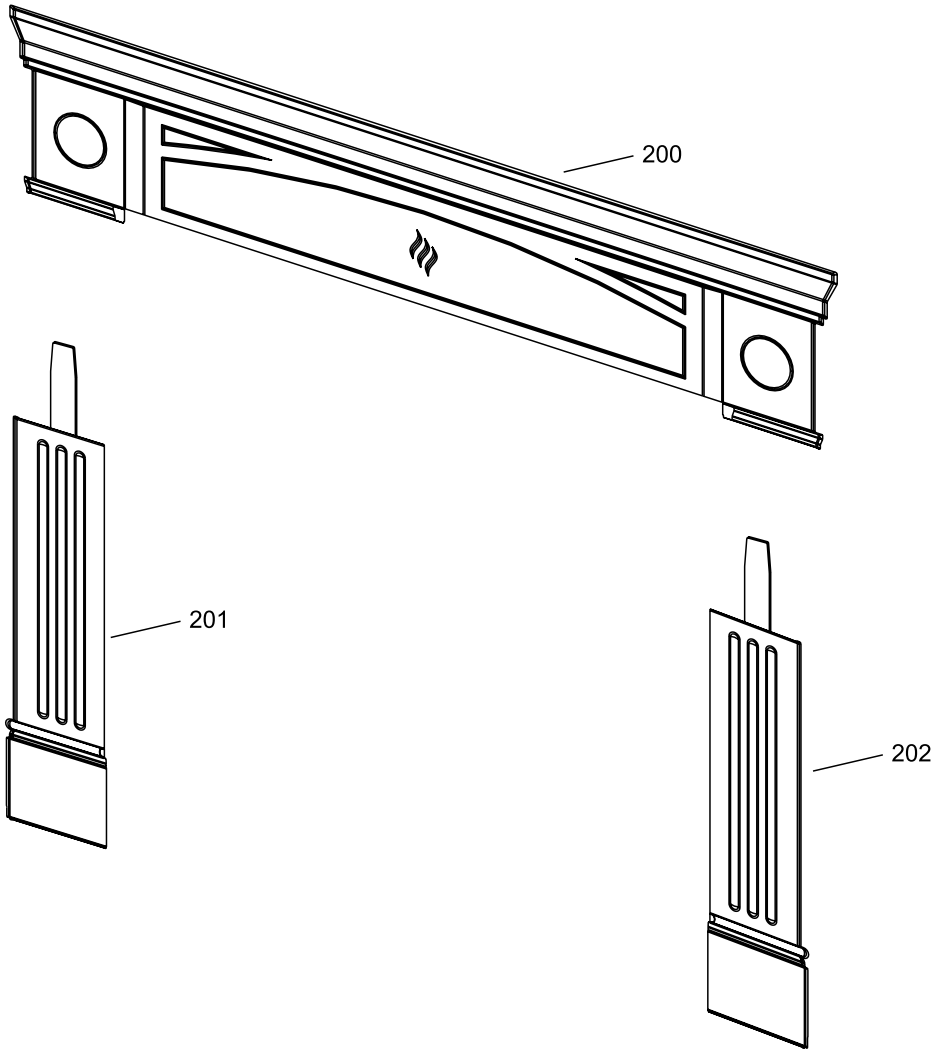
\* Last digit of part number represents color:  
1 = Metallic Black, 5 = Timberline Brown,



# Standard Cast Faceplate

Part #	Description
300-921	Cast Faceplate - Metallic Black
300-925	Cast Faceplate - Timberline Brown
200) *	Top Faceplate
201) *	Left Side Faceplate
202) *	Right Side Faceplate

\* Not available as a replacement part.

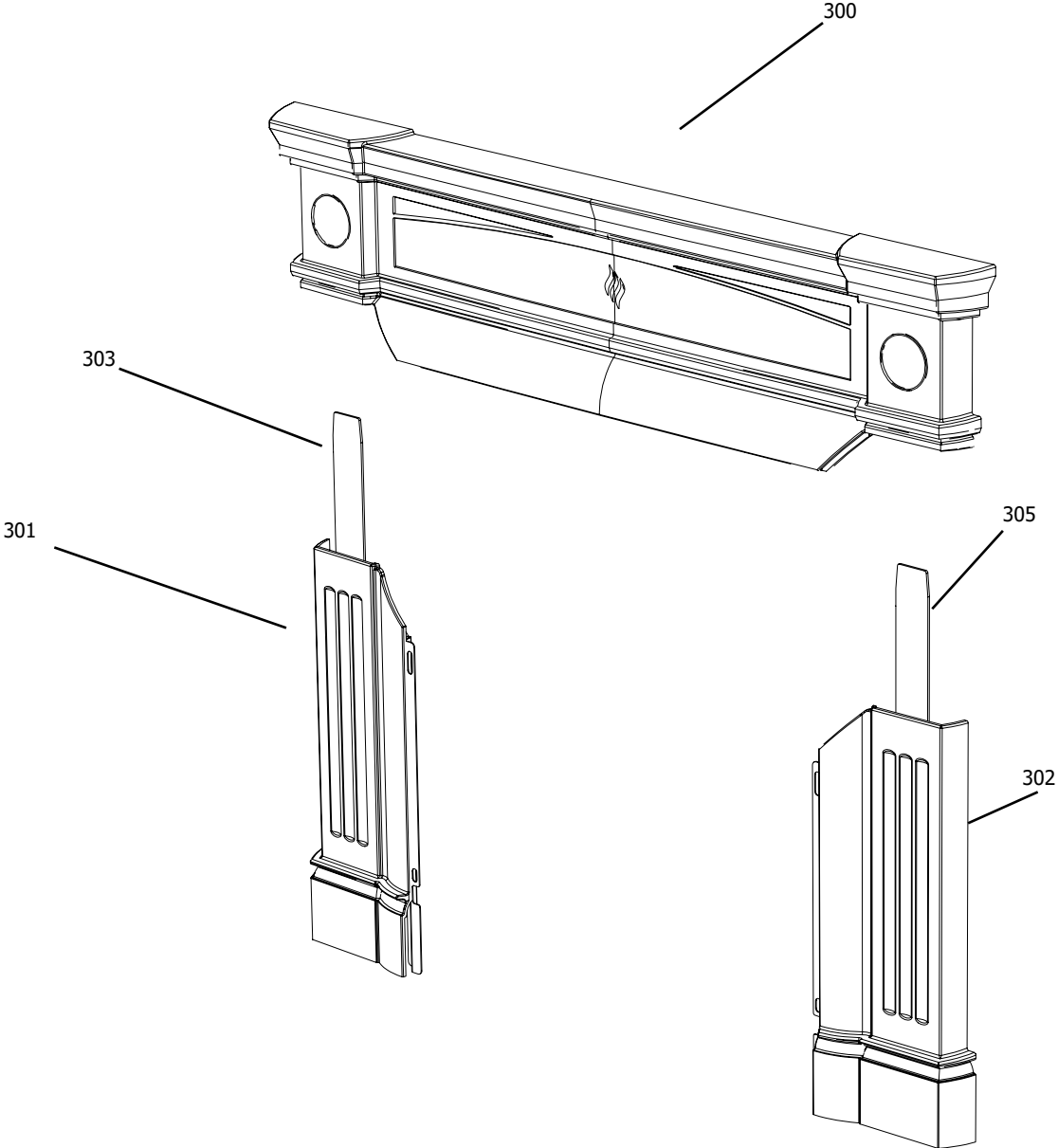


# Oversize Cast Faceplate

Part #	Description
300-971	Oversize Cast Faceplate - Metallic Black
300-975	Cast Faceplate - Timberline Brown
300) *	Top Faceplate
301) *	Left Side Faceplate
302) *	Right Side Faceplate
303) 300-060	Mounting Plate LH
305) 300-061	Mounting Plate RH

**Not Shown in the Drawing**  
300-005 Top Retainer

\* Not available as a replacement part.



## Brick Panels - HI2450

Part #	Description
--------	-------------

180-960	Firebrick - Complete Set
---------	--------------------------

70)	902-111	Brick Regular Full Size: 1-1/4" x 4-1/2" x 9"
-----	---------	---

75)	*	Brick Partial: 1-1/4 x 4-1/2" x 2"
-----	---	------------------------------------

76)	*	Brick Partial: 1-1/4" x 2" x 9"
-----	---	---------------------------------

