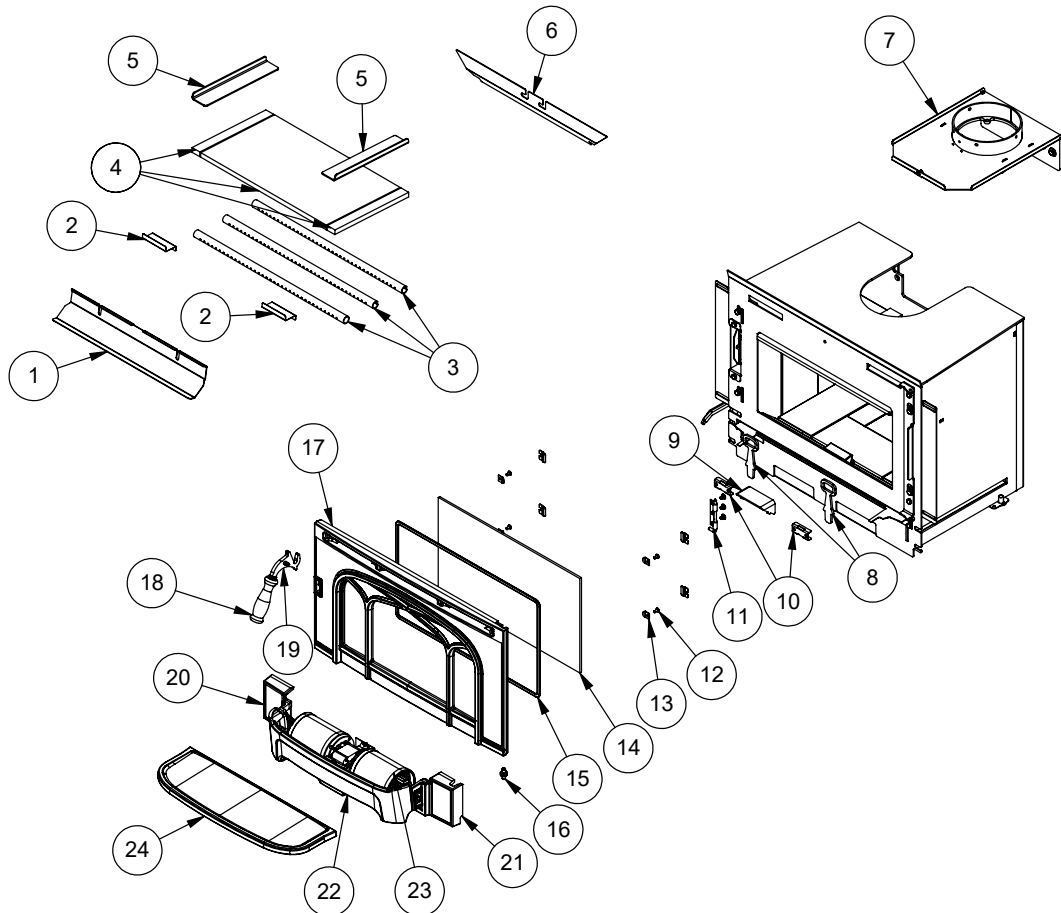


# Hampton HI1150 Wood Cast Insert Parts List

	Part	Description
1	075-037	SS Smoke Deflector
2	075-041	Baffle Holder (Each)
3	033-953	Air Tubes (Each)
4	075-955	Baffle Set Complete
5	075-040	Side Baffle Cover (Each)
6	172-032/P	Vertical Deflector
7	172-942	Flue Adapter Standard
7	172-946	Flue Adapter Offset
8	075-063F	Andiron (Each)
9	075-062	Primary Air Cover Plate
10	075-064	Andiron Bracket (Each)
11	948-163	Cane Bolt Latch
12	*	Screws - 10-24 x 3/8"
13	210-554	Glass Retainer Clips / Screws (set of 4)
14	940-356/P	Glass - Replacement (Includes Glass Gasket)
15	846-686	8 mm Soft Fibre Black Gasket Tape (8') (936-238)
16	948-467	Hinge Pin Lower
17	210-561	Door Assembly Metallic Black (no glass)

	Part	Description
	210-565	Door Assembly Timberline Brown (no glass)
	846-570	Med. Density Door Gasket Kit
18	948-179	Black Varnish Wooden Handle
19	210-550	Door Handle Assembly
20	*	Left Side Fan Fascia
21	*	Right Side Fan Fascia
22	*	Front Fan Fascia
23	210-911	Fan / Blower Assembly (Metallic Black)
	210-915	Fan / Blower Assembly (Timberline Brown)
	910-157/P	Blower/Fan Motor
	910-684	Power Cord (120 Volts)
	910-142	Fan Thermodisc
	910-140	Fan Speed Switch - HI/OFF/LOW (3-way)
	910-138	Switch - Auto/Manual (2-way)
24	210-111	Ashlip Metallic Black
	210-115	Ashlip Timberline Brown

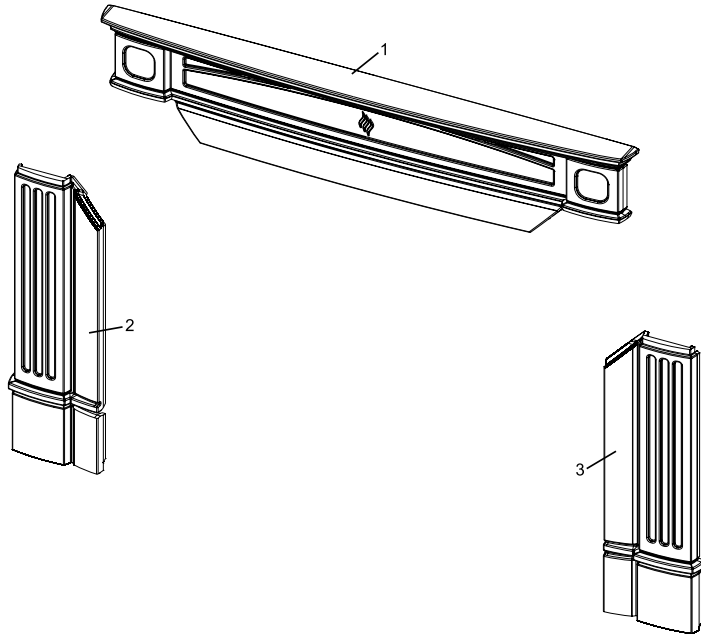


## Cast Faceplate

Part #	Description
210-921	Metallic Black Faceplate
210-925	Timberline Brown Faceplate

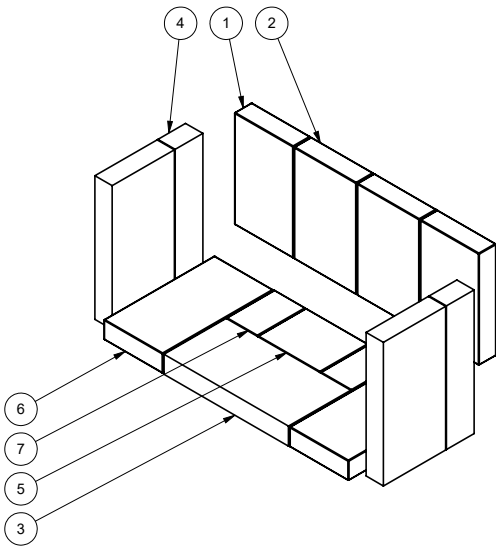
- 1) \* Top Surround
- 2) \* Left Side Surround
- 3) \* Right Side Faceplate

\* Not available as a replacement part.



## Brick Panels

075-960 HI1150 Brick Kit Complete



Fire bricks	
#	Size
1	4-1/4" x 7"
2	4-1/2" x 7"
3	9" x 4-1/2"
4	9" x 2"
5	3-1/2" x 4-1/2"
6	4-1/4" x 8"
7	3-1/2" x 2-1/4"