

Packing List

- Blower Assembly
- Power Cord Assembly
- Snap Disk
- (2) Grommets
- Cable Holder
- Screw (8-32 x 3/8")

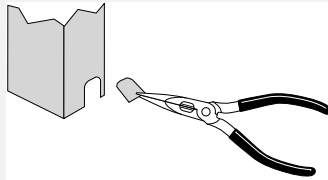
Using the Insert Wire Kit with this Blower

The insert wiring kit (97200315) may be used with this blower kit. Follow the steps below to install.

- The Radiant blower includes a power cord assembly that must be dis-assembled. Remove and discard the power cord from the assembly (remove the strain relief). Then attach the bracket to the insert (see step 5 below). This bracket will be used as a grounding tab.
- Install the wiring kit following the instructions included with the kit. The power cord was removed so steps 1 and 2 may be disregarded. Attach the conduit to the insert, using the 7/8" diameter hole on the right side of the insert.
- Follow the installation instructions below to install the blower. For step 4, attach the molex connector from the blower to the wiring kit and the grounding wire to the power cord bracket.

Remove the Knock-Out - Designer and Universal Faces

When using the Designer or Universal face, remove the knock-out on the side of the face for the power cord.

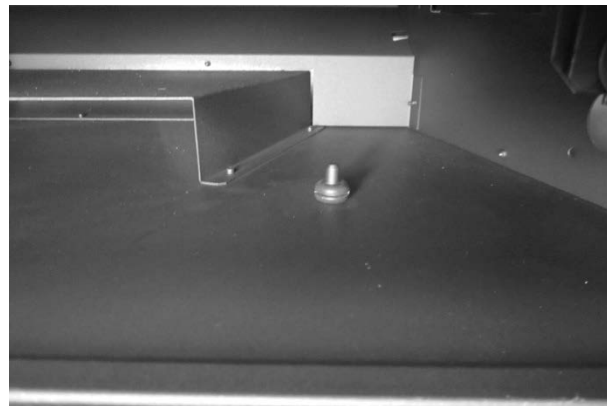
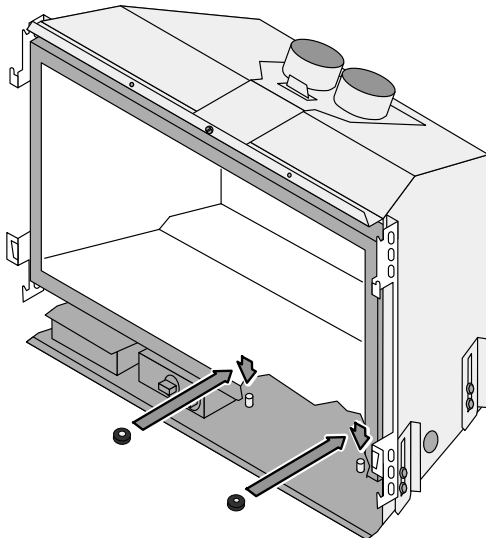


Installation

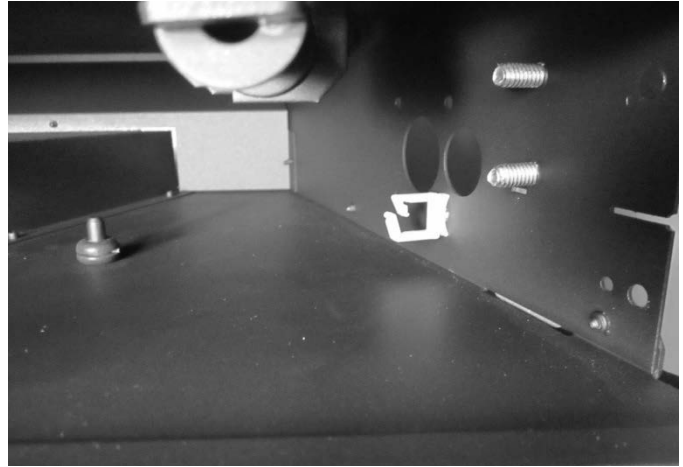
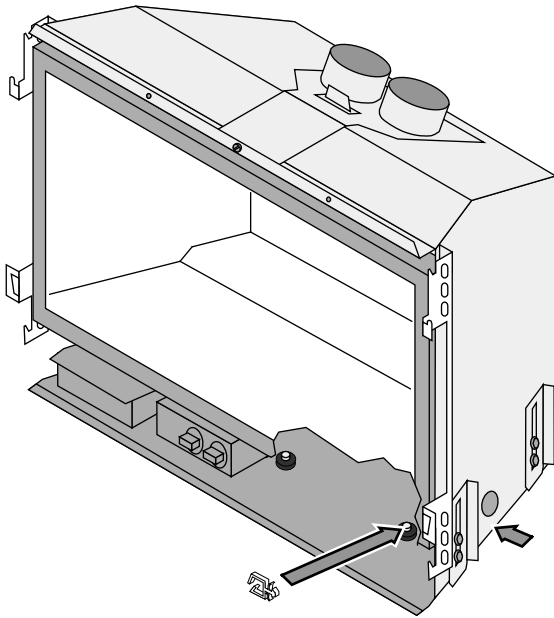
WARNING: Do not plug the blower in until it is fully installed and grounded.
Do not connect 110-120 VAC to the gas control valve or wiring system of this appliance.

NOTE: Install the blower after the insert is in place. The blower is only secured with vibration-damping grommets. The blower will dislodge if the insert is tipped forward.

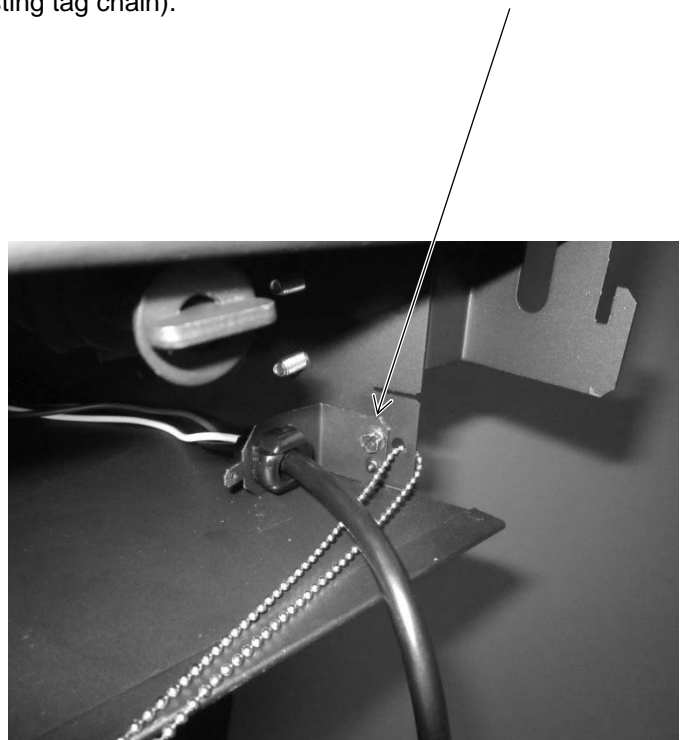
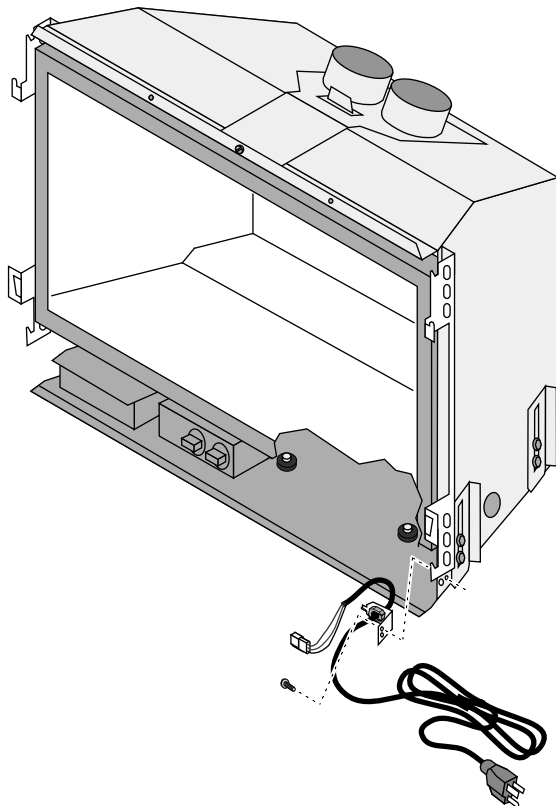
1. Place the grommets over the studs on the baseplate of the insert as shown below.



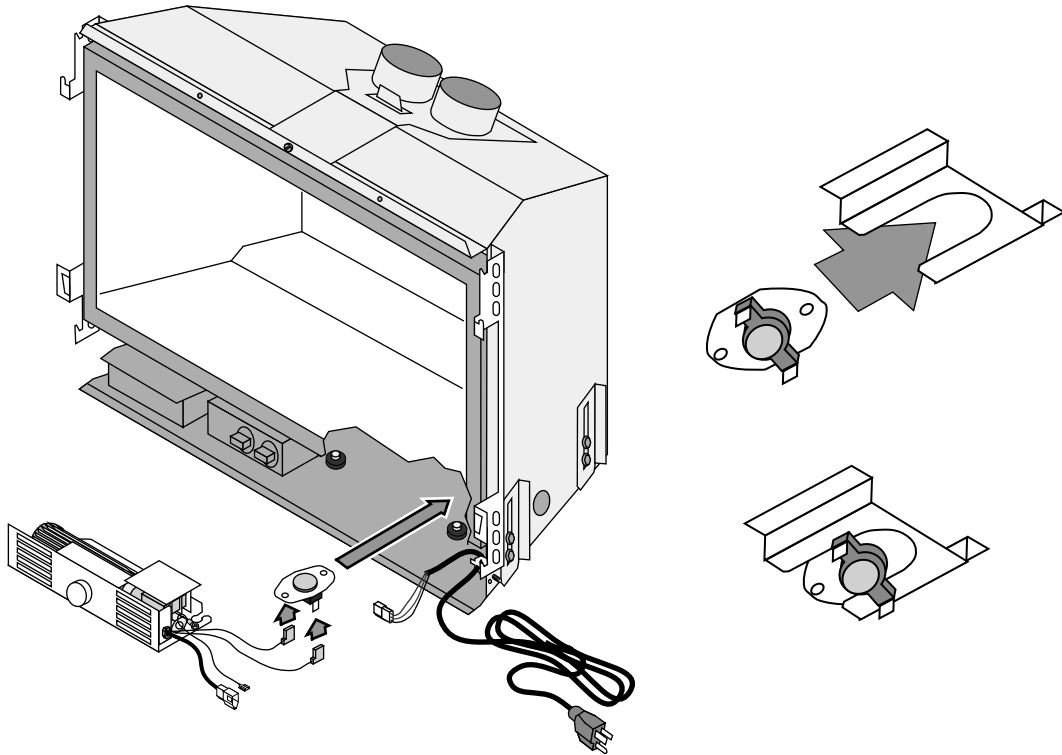
2. Install the cable holder into the side wall of the insert as shown below.



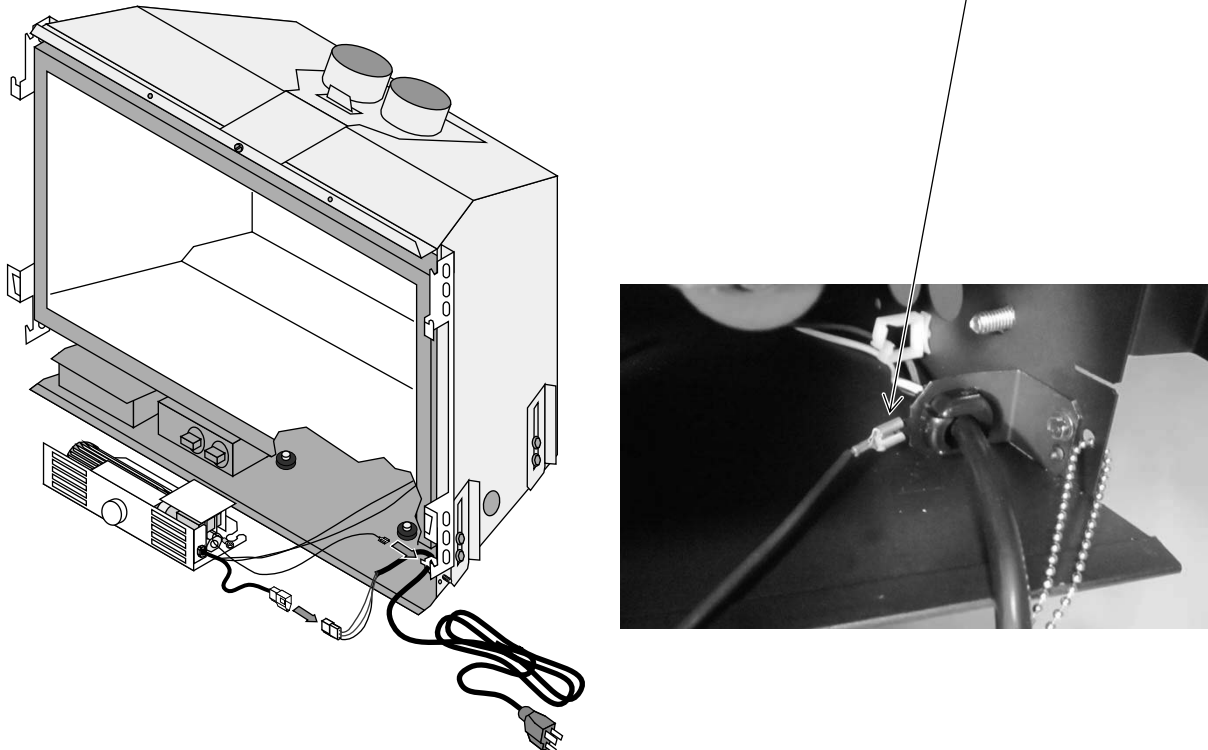
3. Attach the power cord bracket to the insert with the included screw as shown below. Make sure to use the hole to the rear (the front hole is used for the listing tag chain).



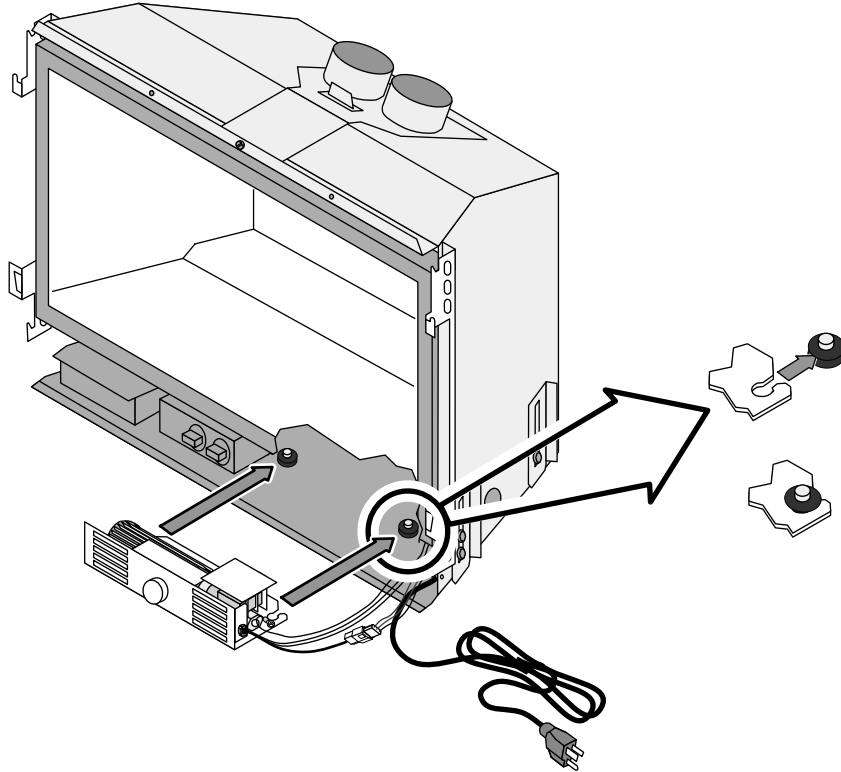
4. Place the blower assembly near the insert. Attach the two quick-connects from the blower to the snap disk, then slide the snap disk into the snap disk bracket on the insert as shown below.



5. Attach the grounding wire from the blower assembly to the power cord mounting bracket. Attach the molex connector from the blower assembly to the power cord as shown below.



- Slide the blower into position, making sure the blower base inserts into the grommets, locking it in place. Secure all loose wiring by inserting it through the cable holder installed earlier.



- Plug the blower in and verify operation. The blower will turn on after the insert reaches temperature, typically 5 to 10 minutes after startup on high.

Operating Instructions

The blower will turn on automatically once the insert is up to temperature (5 to 15 minutes).

Blower speed can only be altered with the face removed. The face should remain in place during operation. Therefore, we recommend you set the blower at a middle position, install the face, then turn the insert on. If the blower speed is not at the desired level, let the insert cool, remove the face, adjust the blower rheostat, then re-start the insert.

Service Instructions



WARNING:

Disconnect power to the blower before servicing (unplug power cord or turn off service breaker).

The blower assembly may be removed while leaving the wires connected. Slide the blower forward off of the grommets, being careful to not damage or disconnect any wiring (see illustration above). The blower may be vacuumed or brushed clean. Re-install the blower after cleaning, making sure the blower base inserts into the grommets. Make sure all wiring remains connected and does not contact any hot or moving components.