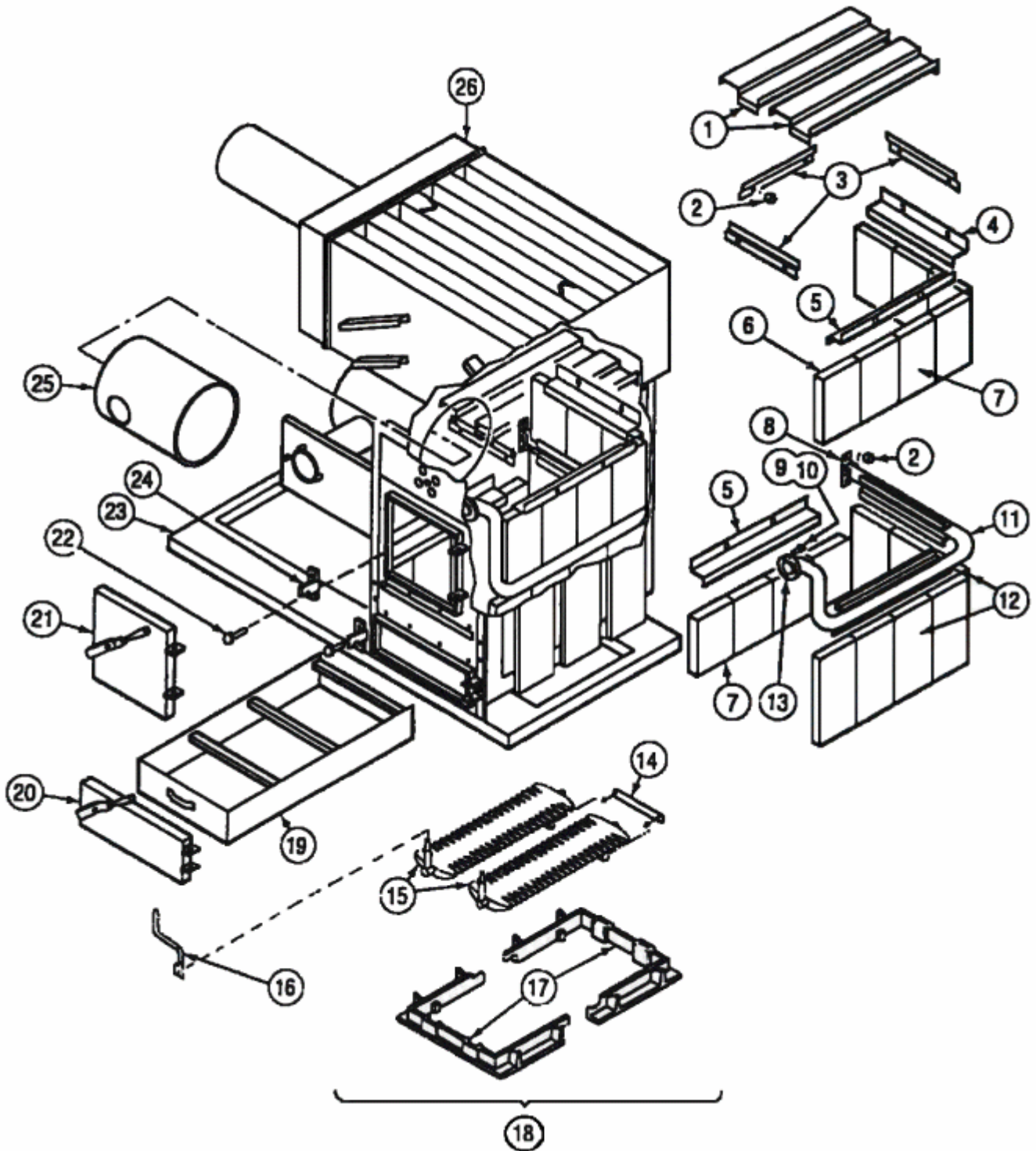


Exploded Views & Parts List

EAGLE II - POLAR MODELS LWO-168 & LWG-168



Exploded Views & Parts List

(Left Hand Shown)

EAGLE II - POLAR OIL/ GAS-SOLID FUEL COMBINATION FURNACE

Models LWO-168 and LWG-168

Key No.	Left Hand	Right Hand	Part Description
1	20105900	20105900	Smoke Baffle (2 Req.)
2	10105300	10105300	Hex Nut 1/4-20 (14 Req.)
3	20102200	20102200	Bracket, Baffle (3 Req.)
4	20102640	20102640	Top Brick Retainer. Rear
5	20102650	20102650	Top Brick Retainer. Side (2 Req.)
6	10100800	10100800	Fire Brick 9 x 4-1/2 x 2-inch (1 Req.)
7	10100700	10100700	Fire Brick 9 x 6 x 2-inch (10 Req.)
8	20106300	20106300	Bracket, Tube Support
9	10110500	10100500	Fender Washer, 5/16-inch I.D. x 1-inch O.D. (2 Req.)
10	10104900	10104900	Screw Thread Cutting Hex Washer HD 1/4 20 x 3/4 inch (2 Req.)
11	50105320	51105320	Secondary Air Tube Weldment
12	10116200	10116200	Fire Brick 12 x 6 x 2 inch (7 Req.)
13	10110700	10110700	Gasket, Secondary Air Tube
14	20108400	20108400	Connecting Rod Assembly** (Including two 5/16-Inch Locknuts)
15	10122400	10122400	Coal Grate** (2 Req.)
16	10122900	10122900	Coal Grate Handle**
17	10123990	10123990	Coal Grate Frame** (2 Req.)
18	10124500	10124500	Coal Shaker Grate Assembly Complete** (includes items 14,15,16,17)
19	50105503	50105503	Ash Pan Weldment
20	50106603	50106603	Ash Door Assembly
21	50104303	50104303	Fire Door Assembly
22	10105000	10105000	Screw, Machine, Rd. Hd..1/4-20x3/4-in. (4 Req.)
23	50300700	51300700	Base Weldment
24	10139700	10139700	Door Latch (2 Req.)
25	10100602	10100602	Refractory Pot Liner
26	50105403	50105403	Combustion Chamber Weldment
*	10901500	10901500	3 x 8-inch Steel Flue Brush
*	10100950	10100950	Wood Grates, Standard (3 Req.)

* Not Illustrated/ ** Optional